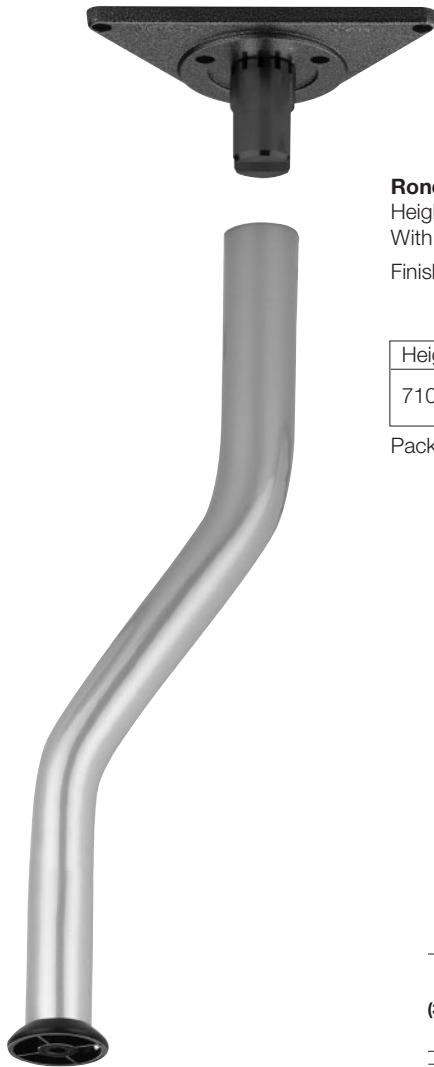


Table Legs - Rondella



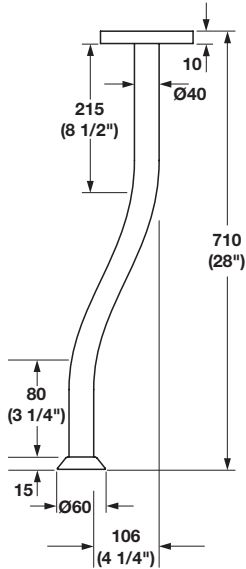
Rondella, curved shape.

Heights listed include mounting plate and leveler.
With adjustable foot, +15 mm (5/8").

Finish: Legs: steel, plated or epoxy-coated
Leveler: plastic, black
Mounting Plate: zinc die-cast, gray

Height	Diameter	Finish	Cat. No.
710 mm (28")	40 mm (1 9/16")	Silver aluminum RAL 9006	635.66.270

Packing: 2 pcs. (includes 2 mounting plates, and screws # 9 x 1")



Rondella, folding tapered leg.

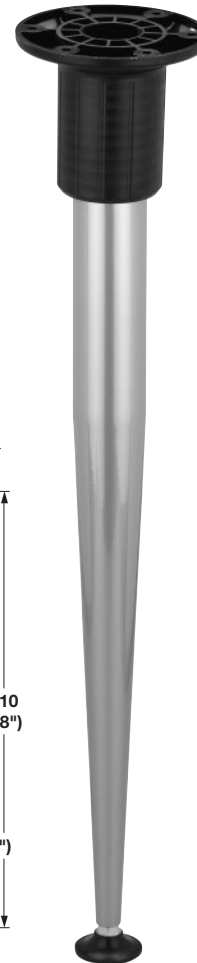
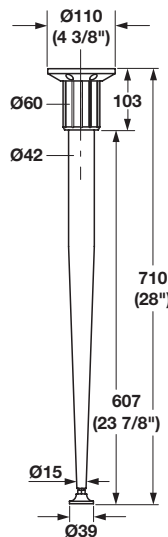
Unique design allows legs to be folded under top.
Tapers from 42 mm down to 15 mm.

Heights listed include mounting plate and leveler.
With adjustable foot, +15 mm (5/8"), M10 threads.

Finish: Legs: steel, plated or epoxy-coated
Folding Mechanism and Leveler: plastic, black, steel

Height	Diameter	Finish	Cat. No.
710 mm (28")	42 mm (1 3/4")	Silver aluminum RAL 9006	635.64.270

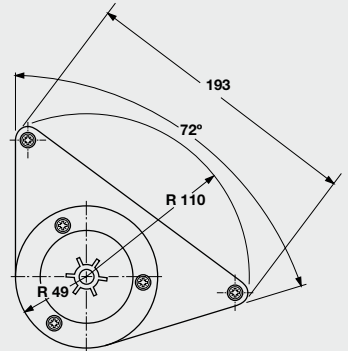
Packing: 1 pc. (includes screws # 9 x 1")



HÄFELE

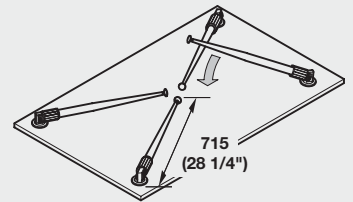


- Curved legs can be rotated to desired location under top and then secured via a set screw.
- Curved legs are sold 2 legs per box.



Mounting Plate

- Folding legs are sold 1 leg per box.



Folding Mechanism

**Tables, Legs, Casters,
Levelers and Office
Organization**

Dimensional data not binding.
We reserve the right to alter
specifications without notice.

Dimensions in mm
Inches are approximate

TCH 04

1223